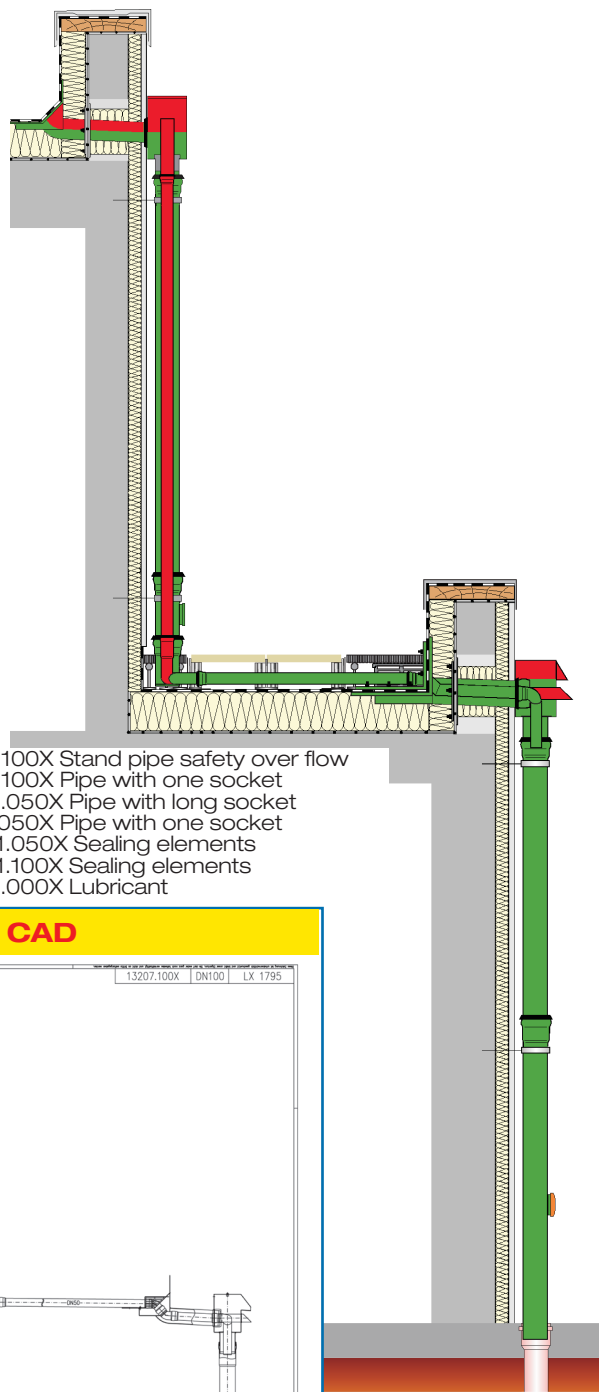


Specification sheet LX 1795

LORO-X QUATTROFLUX Set back storey drainage for roof and roof terrace

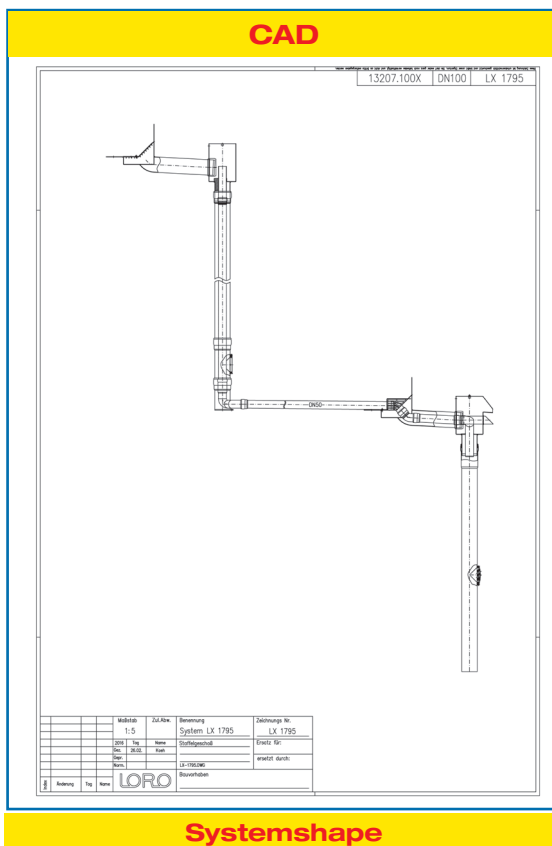
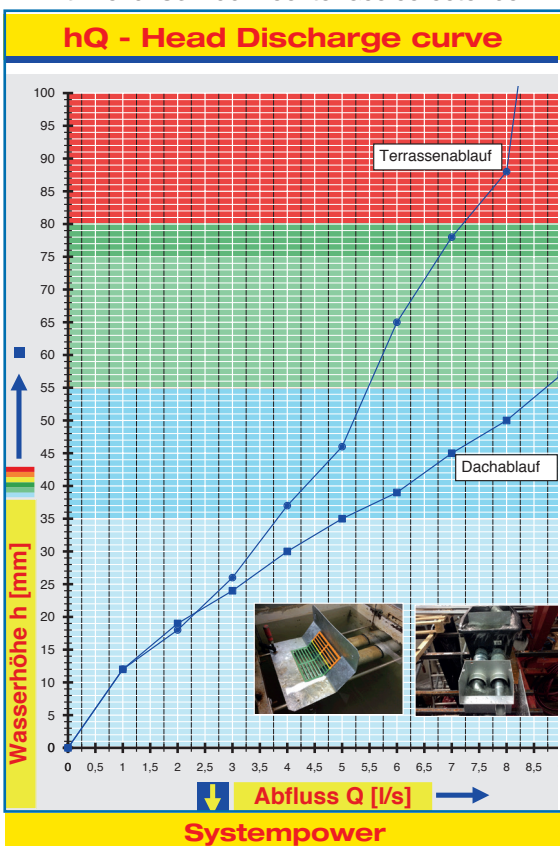
Main drainage		Emergency drainage	
Gravity flow		Gravity flow	
Silent		Silent	
Combined			
Discharge rate:	5,0 l/sec	Discharge rate:	4,0 l/sec
Water height:	35 mm	Water height:	75 mm
Roof penetration:	103 mm	Roof penetration:	103 mm
Diameter:	DN 100	Diameter:	DN 50
LX-Number:	LX 1795	LX-Number:	LX 1795
Weir height:	0 mm	Weir height:	40 mm
Drain:	ventilated	Drain:	ventilated
Downpipe:	ventilated	Downpipe:	not ventilated
Downpipe height:		Downpipe height:	
Drainage:	in sewer	Drainage:	on floor
Flange form:	Bonding flange	Flange form:	Bonding flange



LX 1795 Piece list

- 1 x Art.-No. 13207.100X DUOFLUX® Roof
- 2 x Art.-No. 13228.100X LORO-X Sliding flange
- 1 x Art.-No. 13226.100X Roof collector box
- 1 x Art.-No. 13220.DBBX roof terrace deflection
- 1 x Art.-No. 13541.100X QUATTROFLUX roof terrace
- 1 x Art.-No. 00550.100X LORO-X Cleaning pipe
- 1 x Art.-No. 04361.100X roof terrace collector box

- 1 x Art.-No. 55154.100X Stand pipe safety over flow
- 6 x Art.-No. 01201.100X Pipe with one socket
- 3 x Art.-No. 01203.050X Pipe with long socket
- 8 x Art.-No. 01101.050X Pipe with one socket
- 15 x Art.-No. 00911.050X Sealing elements
- 12 x Art.-No. 00911.100X Sealing elements
- 1 x Art.-No. 00986.000X Lubricant



Water height	mm	15	20	25	30	35	40	45	50	55	60	65	70	75	80	85	90
Terraces	l/s	1,4	2,2	2,8	3,3	3,8	4,3	4,8	5,2	5,4	5,7	6,0	6,4	6,8	7,2	-	-
Roof	l/s	1,4	2,2	3,2	4,0	5,0	6,2	7,0	8,0	8,7	9,0	9,0	9,0	9,0	9,0	-	-

LORO-X QUATTROFLUX Set back storey drainage for roof and roof terrace

LX1795-1X

Drain: Art.-No. 13541.100X
Weight: 13,0 kg

QUATTROFLUX roof terrace with strainer and clamping flange 90°



LX1795-3X

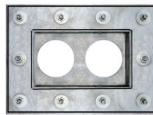
Drain: Art.-No. 13544.100X
Weight: 14,8 kg

QUATTROFLUX roof terrace with bonding flange 45°



Sliding flanges

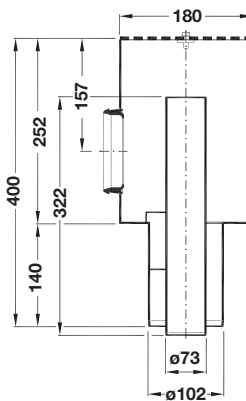
made of galvanized steel, including sealing elements for attaching the vapor barrier, fixed and loose flange construction
Art.-No. 13228.100X
Weight: 4,9 kg



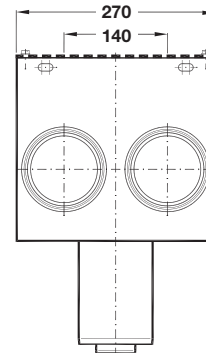
for double pipe and on-site bendable bonding flange
Art.-No. 13073.100X
Weight: 1,6 kg



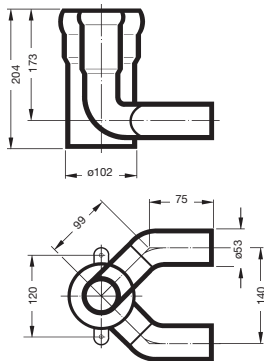
QUATTROFLUX roof collector box
Art.-No. 13226.100X
Weight: 6,4 kg



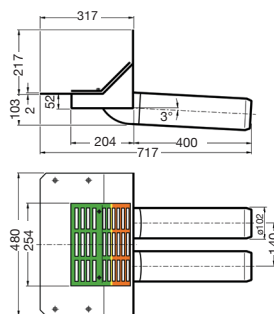
Cleaning pipes with circular clean-out opening
Art.-No. 00550.100X
Weight: 1,9 kg



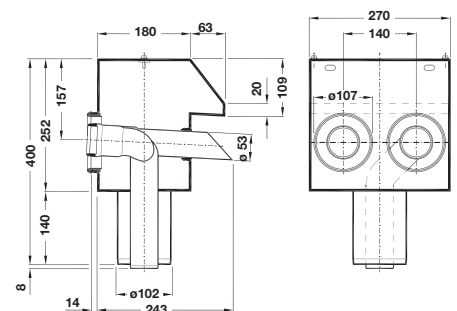
QUATTROFLUX roof terrace deflection
Art.-No. 13220.DBBX
Weight: 2,8 kg



DUOFLUX® Roof with bonding flange for bituminous roofing sheets
Drain: Art.-No. 13207.100X
Weight: 10,2 kg



QUATTROFLUX roof terrace collector box
Art.-No. 04361.100X
Weight: 6,6 kg



Pipe with one socket
Emergency pipe (Inner pipe)
DN 50, length 1000 mm
Art.-No. 01203.050X
Weight: 2,2 kg



Stand pipe with high performance safety over flow
Art.-No. 55154.100X
Weight: 6,6 kg



LORO-Sealing elements

Art.-No. 00911.050X
Art.-No. 00911.100X

Pipe with one socket, made of galvanized steel
length 1000 mm
Art.-No. 01201.100X
length 2000 mm
Art.-No. 01101.050X

